

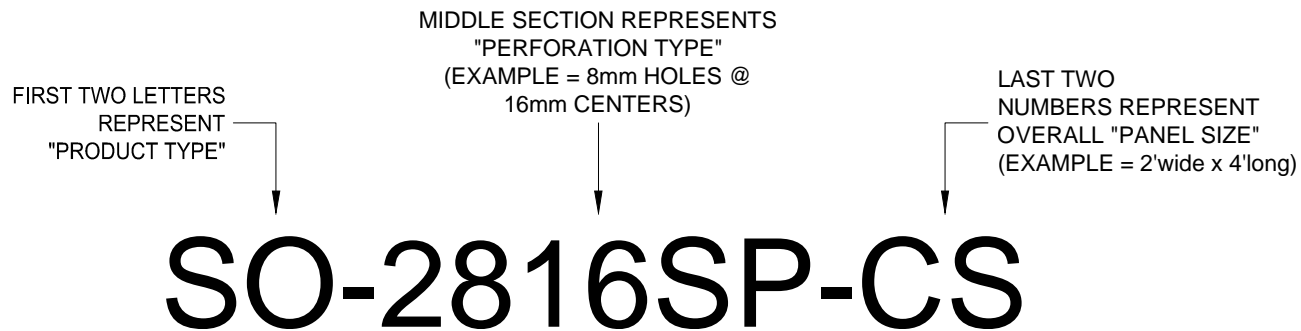
PRODUCT NOTES:

PANELS HAVE A COMPOSITE CONSTRUCTION CONSISTING OF AN ACOUSTICAL MEMBRANE ATTACHED TO THE PANEL FRAME. THERE IS A FACTORY ENCAPSULATED ACOUSTICAL CORE INSIDE THE PANEL.

THESE ARE THE STANDARD GEOPANEL CONFIGURATIONS. CONTACT GEOMETRIK FOR INFORMATION REGARDING CUSTOM SIZES.

CUSTOM SIZES CAN BE UP TO 4'-0" WIDE X 8'-0" LONG.

HOW TO READ PRODUCT "SKU" :



"SKU" ABBREVIATIONS:

SO = GEOPANEL SONATA  
CS = CUSTOM SIZE  
1000 = GROOVED FACE  
2200SL = SLOTTED PERFORATION  
2300RS = ROUND SQUARE PERFORATION  
DP = DIAGONAL PATTERN  
SP = STANDARD PATTERN



1285 Stevens Road  
West Kelowna, BC, Canada  
V1Z 2S9

Ph.(250) 769-1500 Fax.(250) 769-1520

Description:

SKU INFORMATION

Product:

GEOPANEL SONATA

Sheet No:

S01.0

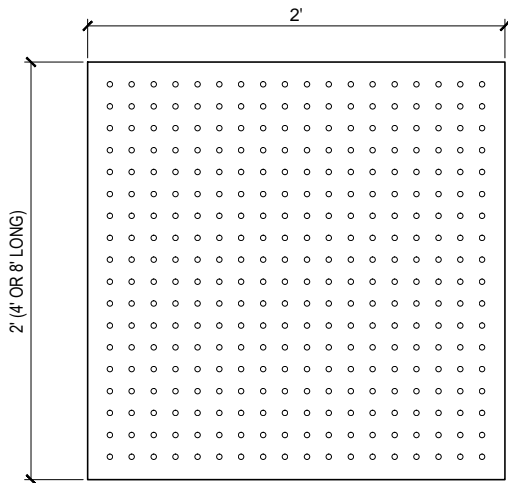
www.geometrik.com info@geometrik.com

Date:

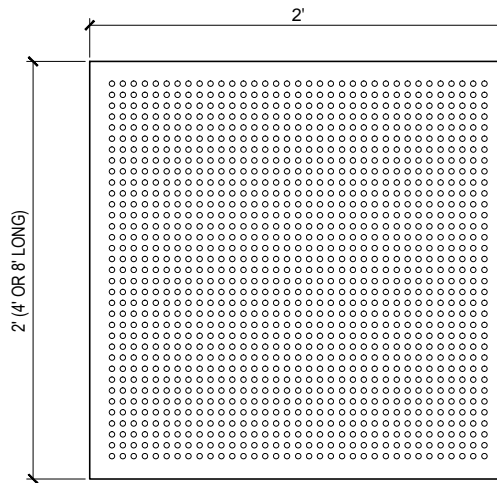
MAR-31-2011

Drawn By:

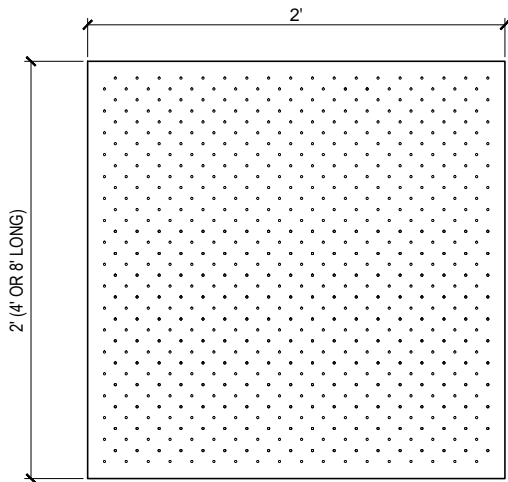
TM



ROUND PERFORATION - SQUARE PATTERN		
SKU #	PANEL SIZE	PERFORATION
SO-2832SP-22	2' x 2'	8mm HOLES ON 32mm CENTERS
SO-2832SP-24	2' X 4'	8mm HOLES ON 32mm CENTERS
SO-2832SP-28	2' X 8'	8mm HOLES ON 32mm CENTERS
SO-2832SP-CS	CUSTOM SIZE	8mm HOLES ON 32mm CENTERS



ROUND PERFORATION - SQUARE PATTERN		
SKU #	PANEL SIZE	PERFORATION
SO-2816SP-22	2' x 2'	8mm HOLES ON 16mm CENTERS
SO-2816SP-24	2' X 4'	8mm HOLES ON 16mm CENTERS
SO-2816SP-28	2' X 8'	8mm HOLES ON 16mm CENTERS
SO-2816SP-CS	CUSTOM SIZE	8mm HOLES ON 16mm CENTERS



ROUND PERFORATION - DIAGONAL PATTERN		
SKU #	PANEL SIZE	PERFORATION
SO-2316DP-22	2' x 2'	3mm HOLES ON 16mm CENTERS
SO-2316DP-24	2' X 4'	3mm HOLES ON 16mm CENTERS
SO-2316DP-28	2' X 8'	3mm HOLES ON 16mm CENTERS
SO-2316DP-CS	CUSTOM SIZE	3mm HOLES ON 16mm CENTERS



1285 Stevens Road  
West Kelowna, BC, Canada  
V1Z 2S9

Ph.(250) 769-1500 Fax.(250) 769-1520

Description:

**STANDARD  
CONFIGURATION**

Product:

**GEOPANEL SONATA**

Date:

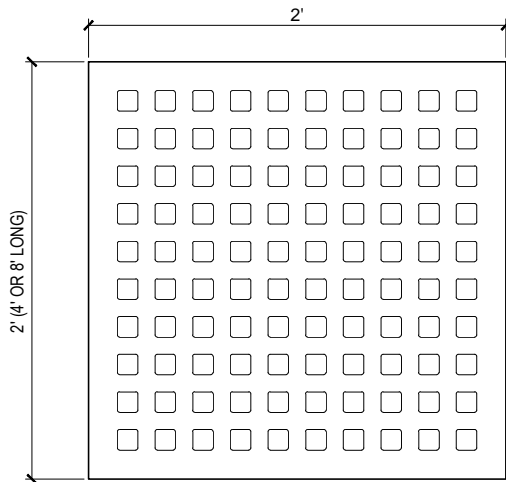
MAR-31-2011

Drawn By:

TM

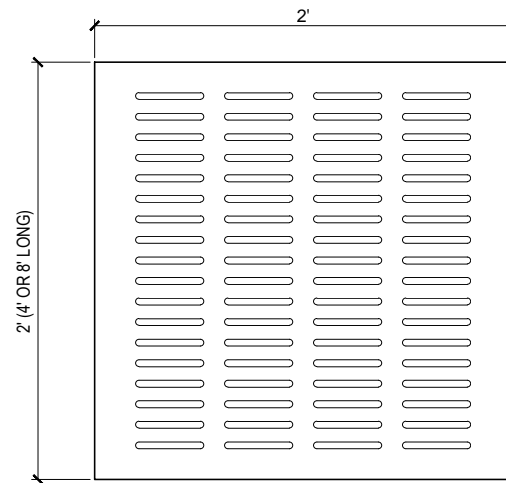
Sheet No:

**S01.1**



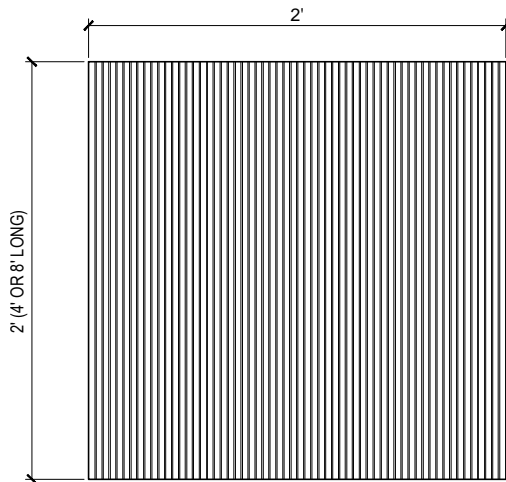
**ROUND SQUARE PERFORATION - SQUARE PATTERN**

SKU #	PANEL SIZE	PERFORATION
SO-2300RS-22	2' x 2'	30mm X 30mm ROUNDED SQUARE
SO-2300RS-24	2' X 4'	30mm X 30mm ROUNDED SQUARE
SO-2300RS-28	2' X 8'	30mm X 30mm ROUNDED SQUARE
SO-2300RS-CS	CUSTOM SIZE	30mm X 30mm ROUNDED SQUARE



**SLOTTED PERFORATION**

SKU #	PANEL SIZE	PERFORATION
SO-2200SL-22	2' x 2'	100mm X 10mm SLOT
SO-2200SL-24	2' X 4'	100mm X 10mm SLOT
SO-2200SL-28	2' X 8'	100mm X 10mm SLOT
SO-2200SL-CS	CUSTOM SIZE	100mm X 10mm SLOT



**GROOVED PERFORATION - LINEAR PATTERN**

SKU #	PANEL SIZE	PERFORATION
SO-1000-22	2' x 2'	2mm CUT WITH 10mm SPACING
SO-1000-24	2' X 4'	2mm CUT WITH 10mm SPACING
SO-1000-28	2' X 8'	2mm CUT WITH 10mm SPACING
SO-1000-CS	CUSTOM SIZE	2mm CUT WITH 10mm SPACING



1285 Stevens Road  
West Kelowna, BC, Canada  
V1Z 2S9

Ph.(250) 769-1500 Fax.(250) 769-1520

Description:  
**STANDARD  
CONFIGURATION**

Product:  
**GEO PANEL SONATA**

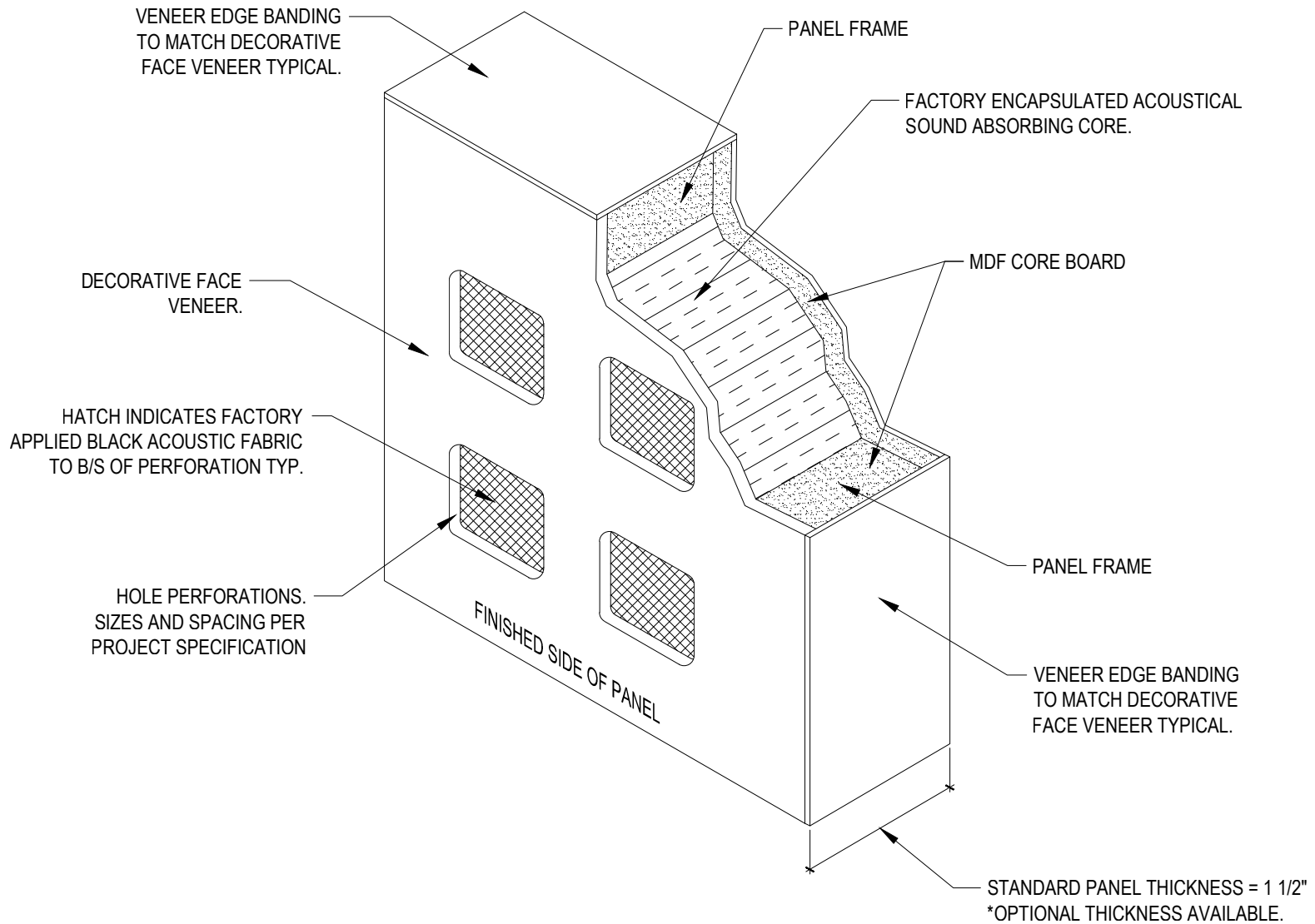
Date: MAR-31-2011

Drawn By: TM

Sheet No:

**S01.2**

www.geometrik.com info@geometrik.com



1285 Stevens Road  
West Kelowna, BC, Canada  
V1Z 2S9

Description:  
**TYPICAL PANEL  
CONSTRUCTION**

Product:  
**GEOPANEL SONATA  
SO-2300RS-CS**

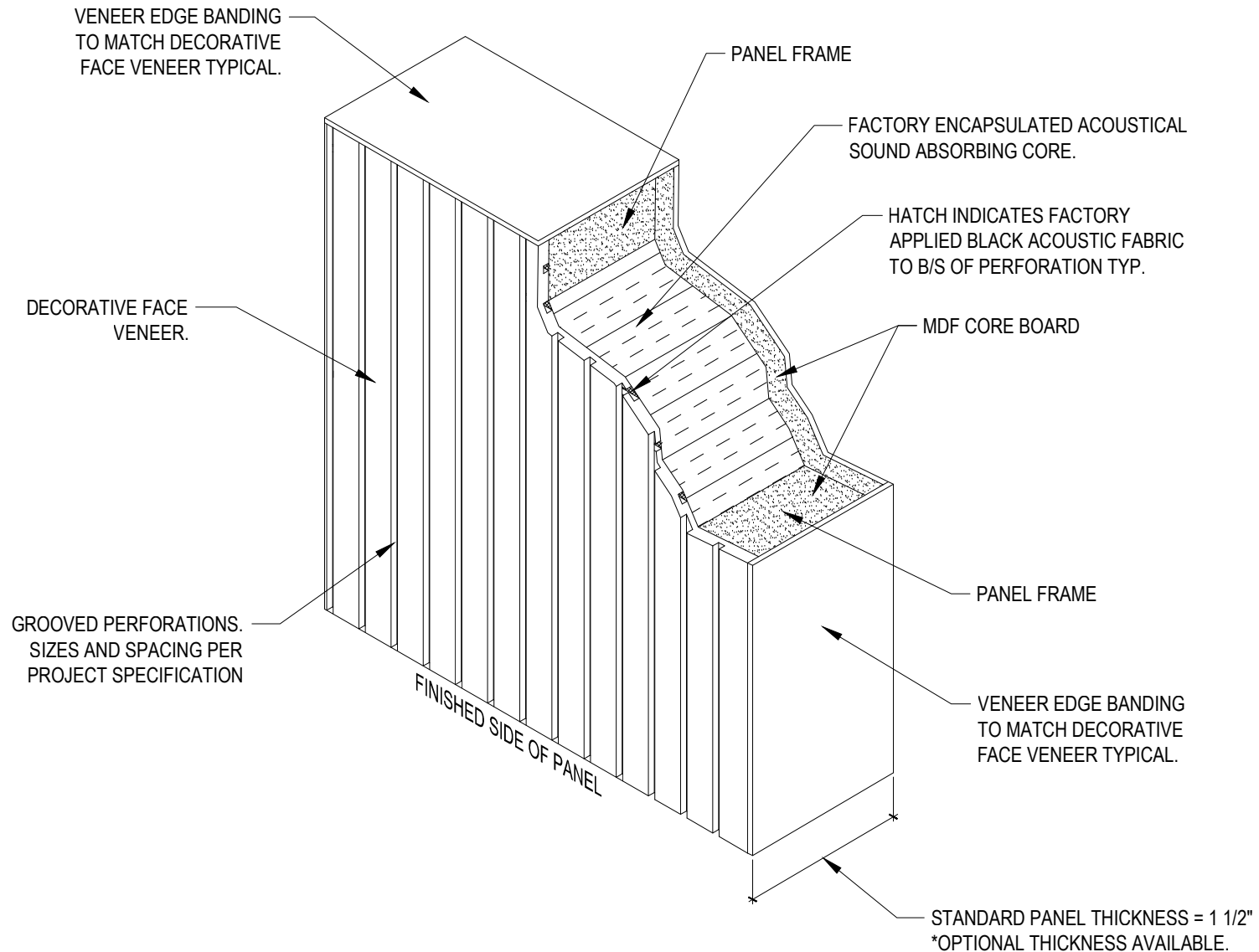
Sheet No:  
**S02.0**

www.geometrik.com info@geometrik.com

Ph.(250) 769-1500 Fax.(250) 769-1520

Date: MAR-31-2011

Drawn By: TM



**Geometrik**

1285 Stevens Road  
West Kelowna, BC, Canada  
V1Z 2S9

Description:  
**TYPICAL GROOVED  
PANEL CONSTRUCTION**

Product:  
**GEOPANEL SONATA  
SO-1000-CS**

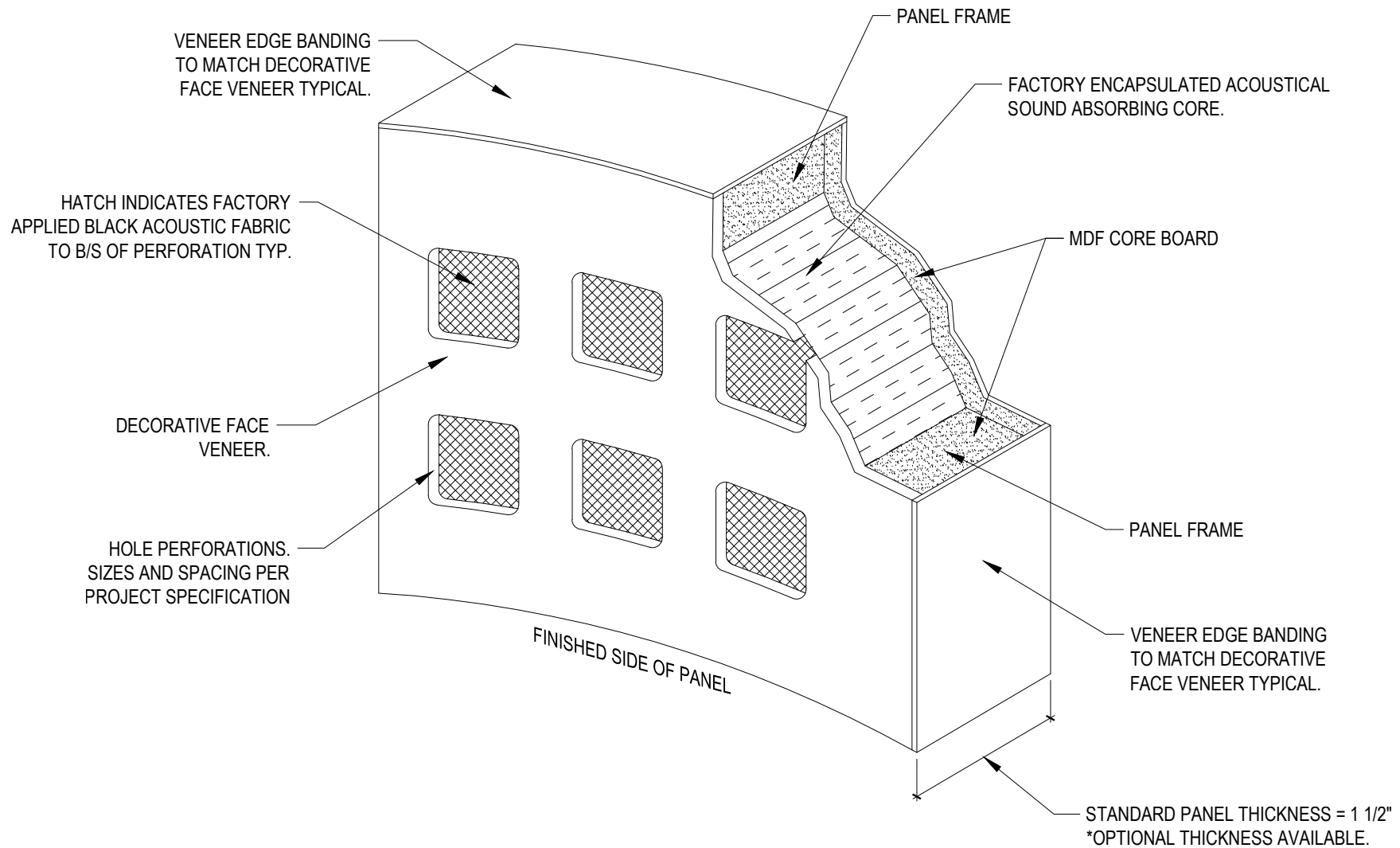
Sheet No:  
**S02.1**

www.geometrik.com info@geometrik.com

Ph.(250) 769-1500 Fax.(250) 769-1520

Date: MAR-31-2011

Drawn By: TM



1285 Stevens Road  
 West Kelowna, BC, Canada  
 V1Z 2S9

Ph.(250) 769-1500 Fax.(250) 769-1520

Description:  
**TYPICAL CURVED  
 PANEL CONSTRUCTION**

Product:  
**GEOPANEL SONATA  
 SO-2300-RS-CS**

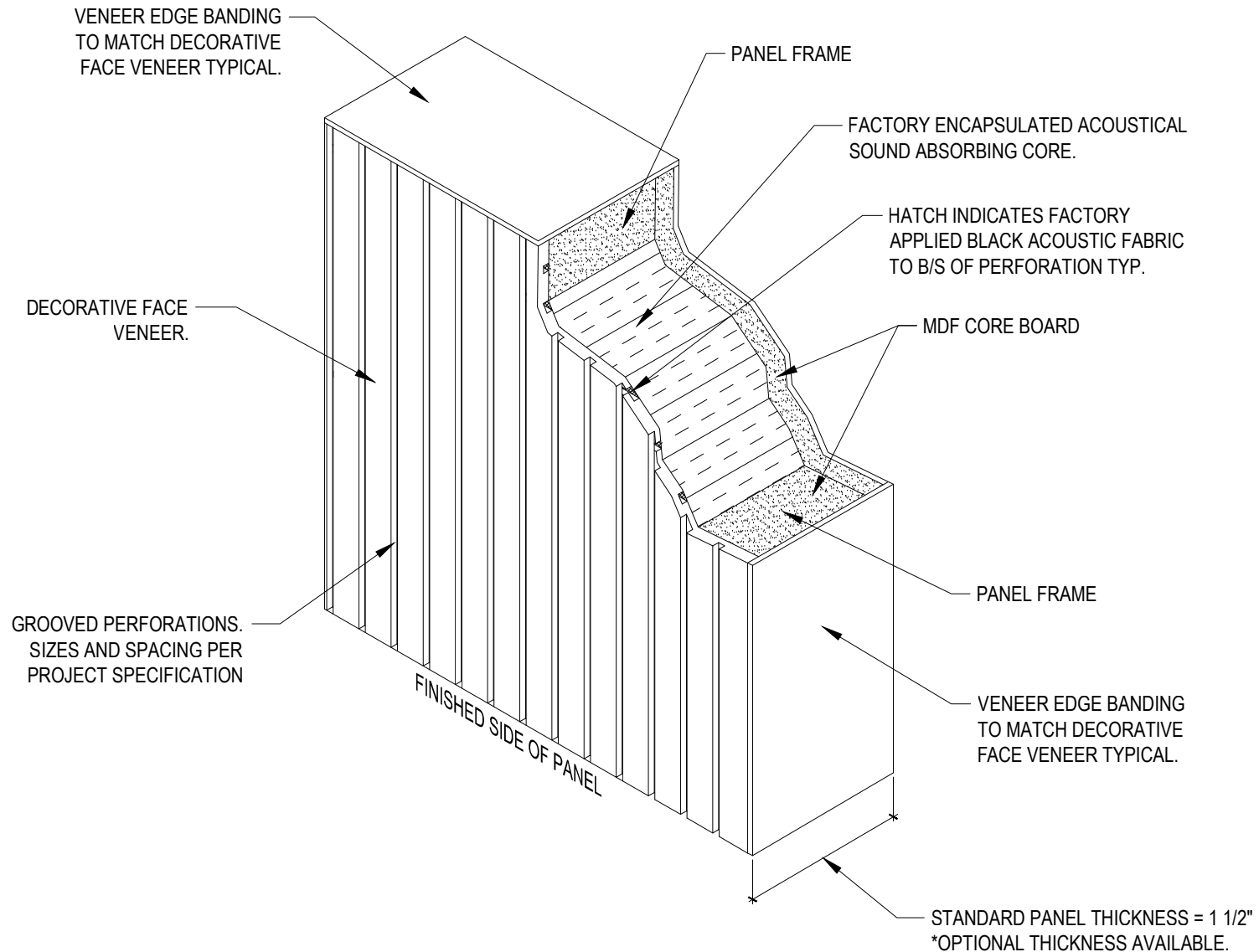
Date: MAR-31-2011

Drawn By: TM

Sheet No:

**S02.2**

www.geometrik.com info@geometrik.com



1285 Stevens Road  
 West Kelowna, BC, Canada  
 V1Z 2S9

Description:  
**TYPICAL GROOVED  
 PANEL CONSTRUCTION**

Product:  
**GEOPANEL SONATA  
 SO-1000-CS**

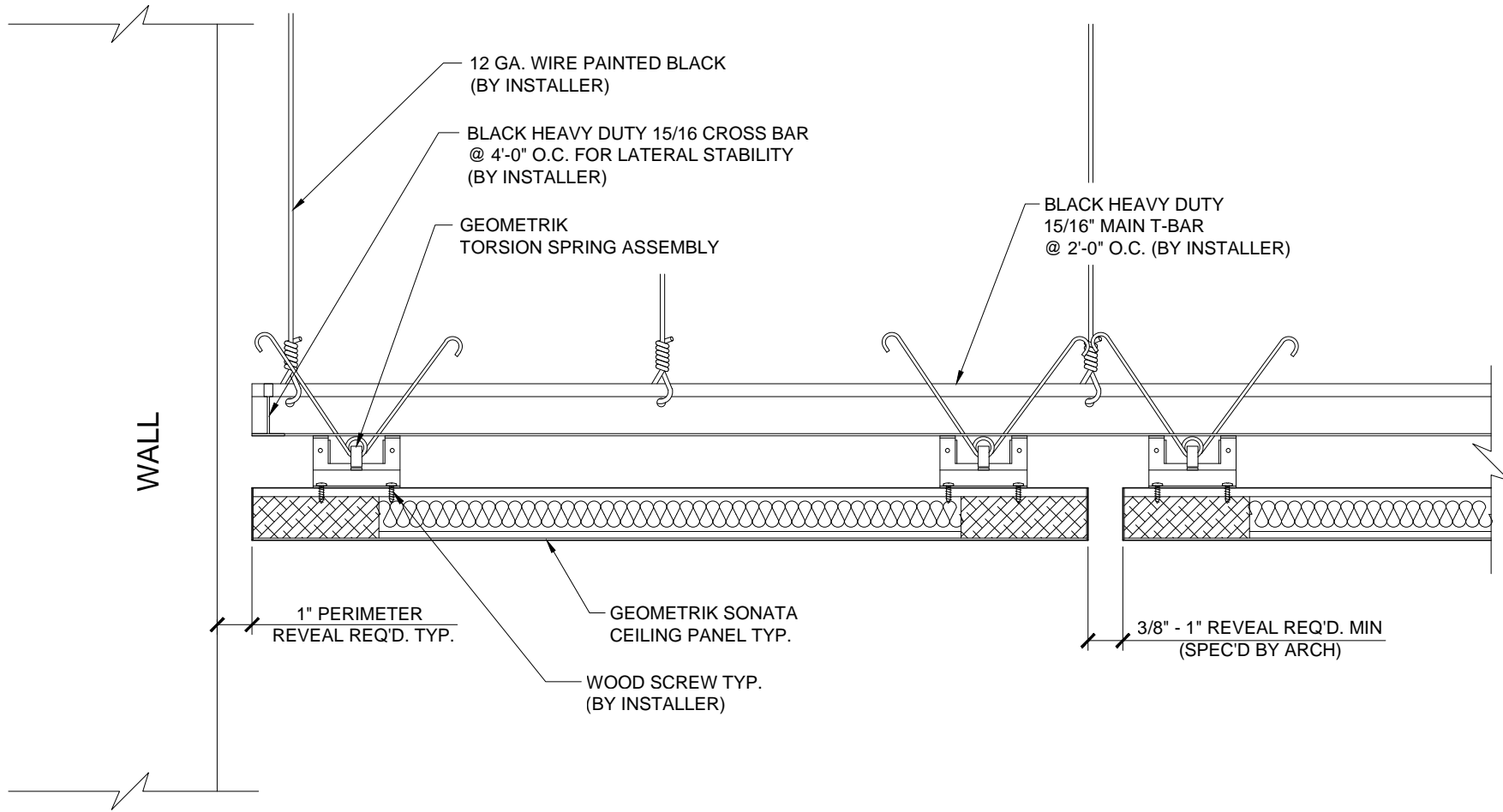
Sheet No:  
**S03.0**

www.geometrik.com info@geometrik.com

Ph.(250) 769-1500 Fax.(250) 769-1520

Date: MAR-31-2011

Drawn By: TM



1285 Stevens Road  
 West Kelowna, BC, Canada  
 V1Z 2S9

Description:  
**TORSION SPRING  
 SUSPENSION**

Product:  
**GEOPANEL SONATA**

Sheet No:  
**S03.1**

www.geometrik.com info@geometrik.com

Ph.(250) 769-1500 Fax.(250) 769-1520

Date: MAR-31-2011

Drawn By: TM



