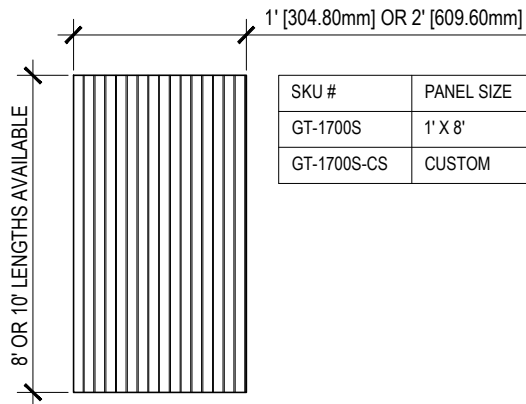


SKU #	PANEL SIZE	FACE WIDTH	GROOVE WIDTH	# OF GROOVES PER FOOT OF PANEL	AVAILABLE EDGE TREATMENTS
GT-3400S	1' X 8'	34mm	2mm	8	T&G
GT-3400S-CS	CUSTOM	34mm	2mm	8	BANDED

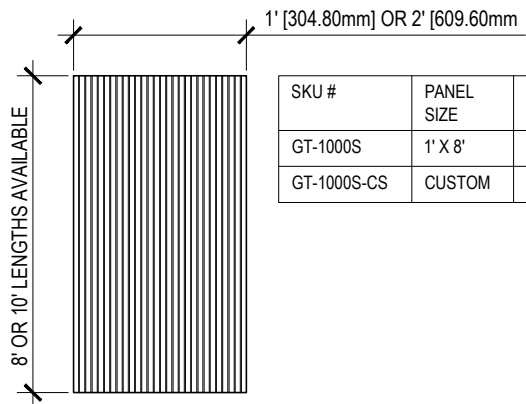
PRODUCT NOTES:

THESE ARE THE STANDARD GEOTONE S CONFIGURATIONS. CONTACT GEOMETRIK FOR INFORMATION REGARDING CUSTOM SIZES.

CUSTOM SIZES CAN BE UP TO 4'-0" WIDE X 8'-0" LONG.

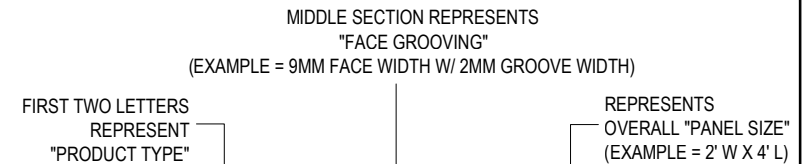


SKU #	PANEL SIZE	FACE WIDTH	GROOVE WIDTH	# OF GROOVES PER FOOT OF PANEL	AVAILABLE EDGE TREATMENTS
GT-1700S	1' X 8'	17mm	2mm	16	T&G
GT-1700S-CS	CUSTOM	17mm	2mm	16	BANDED



SKU #	PANEL SIZE	FACE WIDTH	GROOVE WIDTH	# OF GROOVES PER FOOT OF PANEL	AVAILABLE EDGE TREATMENTS
GT-1000S	1' X 8'	9mm	2mm	32	T&G
GT-1000S-CS	CUSTOM	9mm	2mm	32	BANDED

HOW TO READ PRODUCT "SKU" :



GT-1000S-CS

"SKU" ABBREVIATIONS:

GT= GEOTONE S
 CS= CUSTOM SIZE
 1000S= FACE WIDTH 9mm
 1700S= FACE WIDTH 17mm
 3400S= FACE WIDTH 34mm



1285 Stevens Road
 West Kelowna, BC, Canada
 V1Z 2S9

Ph.(250) 769-1500 Fax.(250) 769-1520

Description:

**TYPICAL FACE DETAIL
 PRODUCT
 CONFIGURATIONS**

Product:

GEOTONE S

Date:

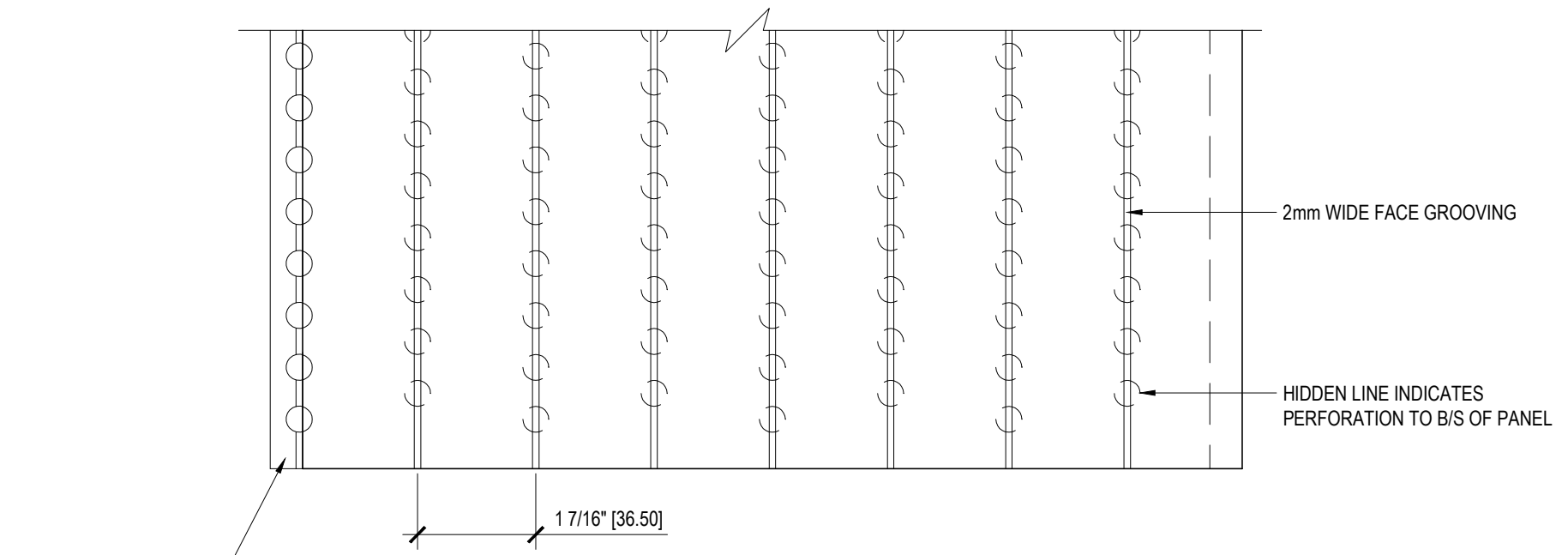
JUNE-9-2011

Drawn By:

TM

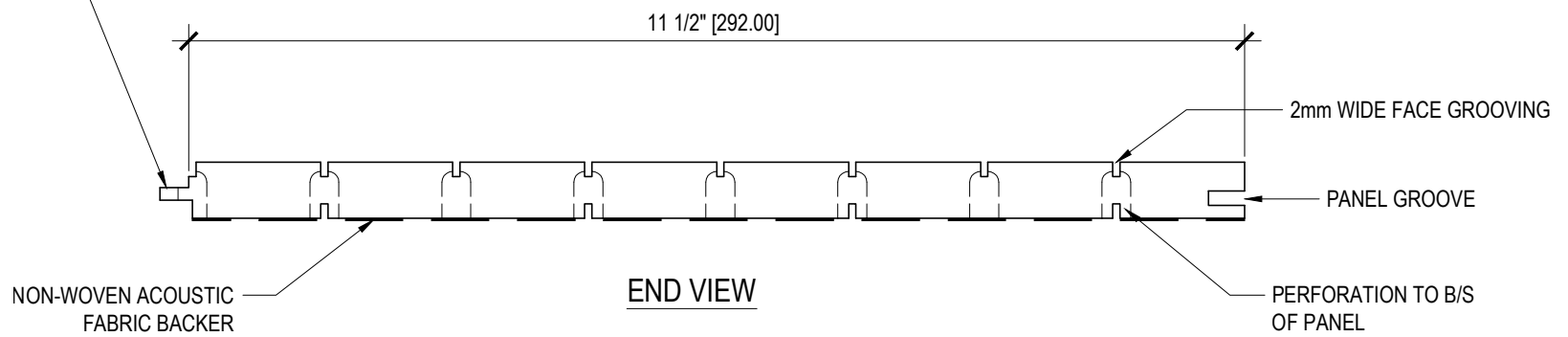
Sheet No:

GT1.0



TOP VIEW - PLAN

PANEL TONGUE



END VIEW



1285 Stevens Road
West Kelowna, BC, Canada
V1Z 2S9

Description:
TYPICAL FACE DETAIL

Product:
GEOTONE S - GT-3400S

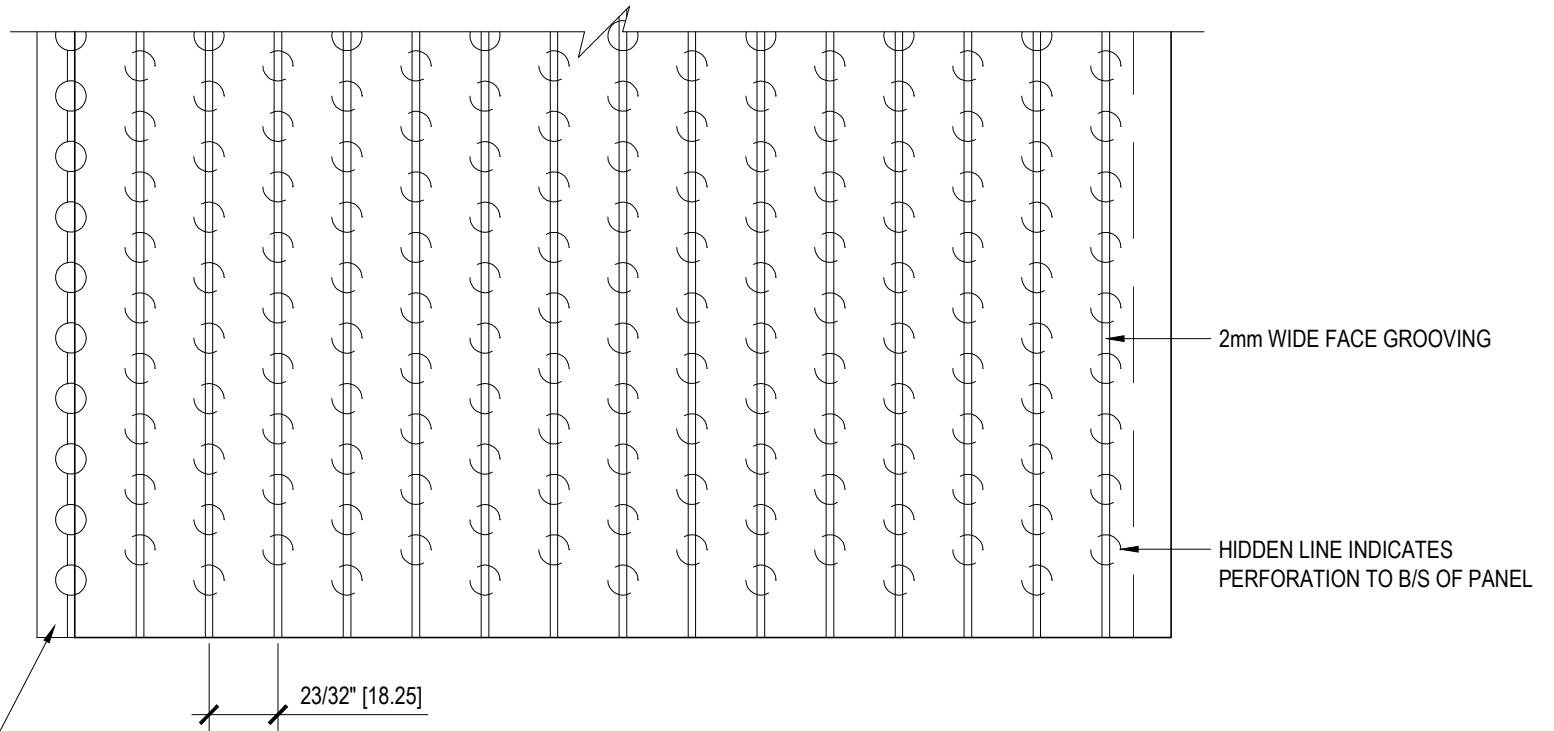
Sheet No:
GT2.0

www.geometrik.com info@geometrik.com

Ph.(250) 769-1500 Fax.(250) 769-1520

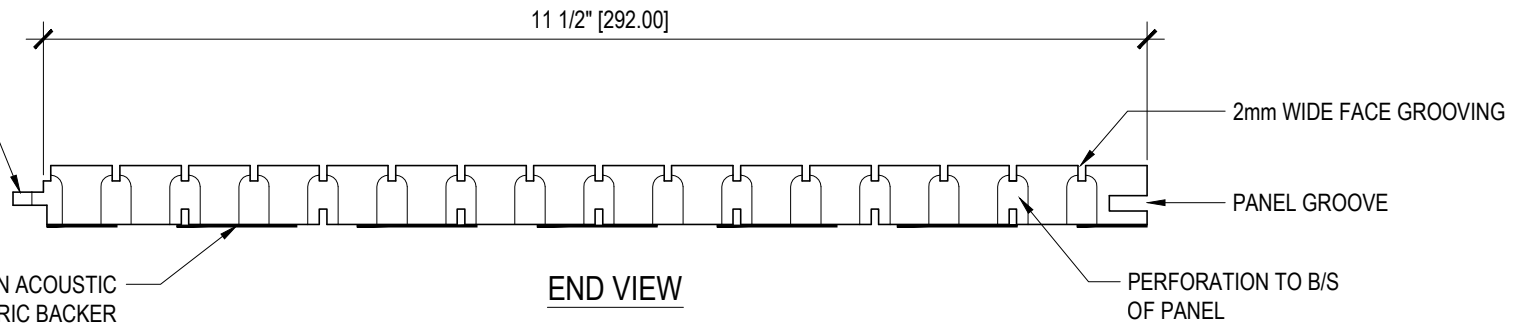
Date: JUNE-9-2011

Drawn By: TM



TOP VIEW - PLAN

PANEL TONGUE



END VIEW



1285 Stevens Road
West Kelowna, BC, Canada
V1Z 2S9

Description:

TYPICAL FACE DETAIL

Product:

GEOTONE S - GT-1700S

Sheet No:

GT2.1

www.geometrik.com info@geometrik.com

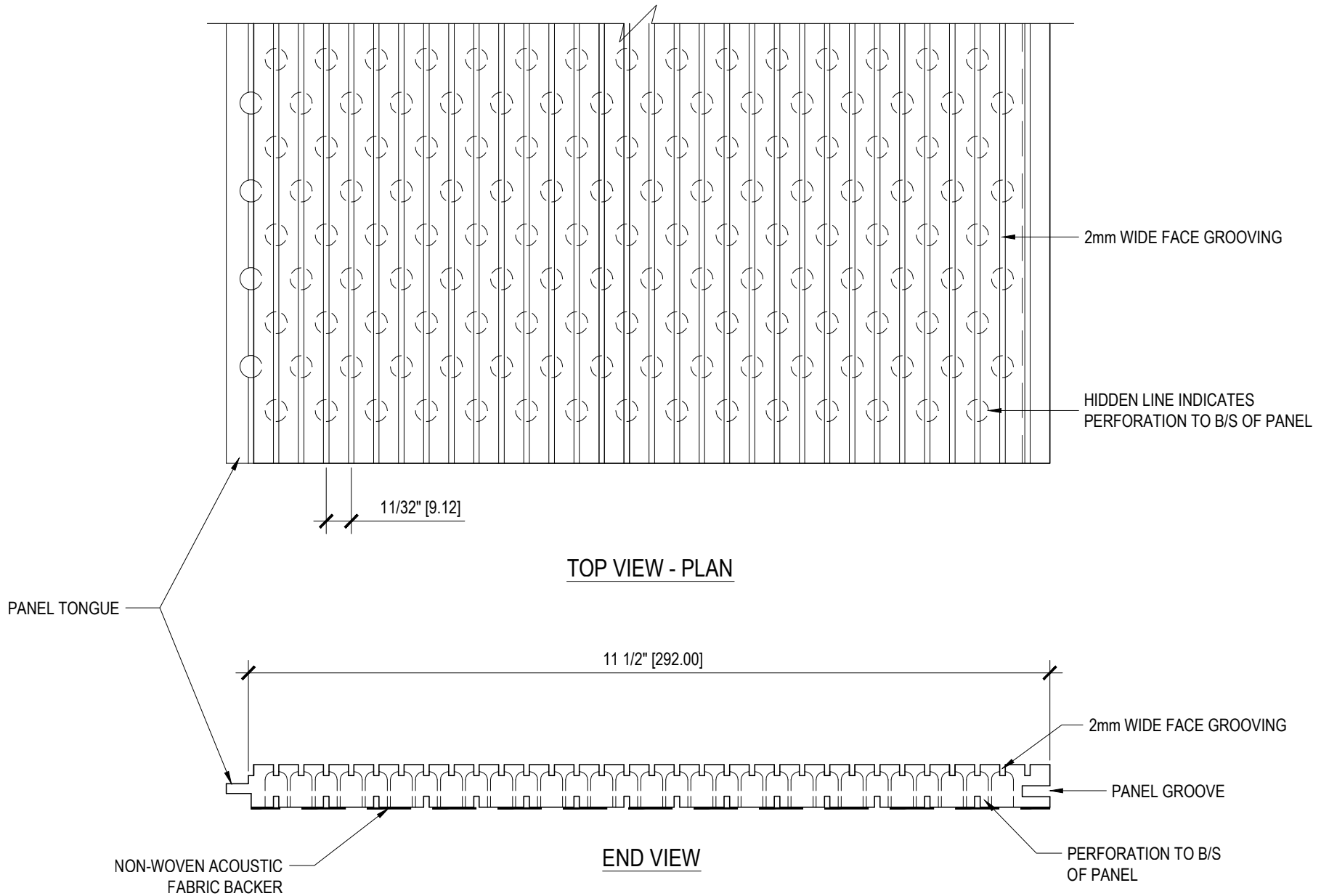
Ph.(250) 769-1500 Fax.(250) 769-1520

Date:

JUNE-9-2011

Drawn By:

TM



1285 Stevens Road
West Kelowna, BC, Canada
V1Z 2S9

Description:
TYPICAL FACE DETAIL

Product:
GEOTONE S - GT-1000S

Sheet No:

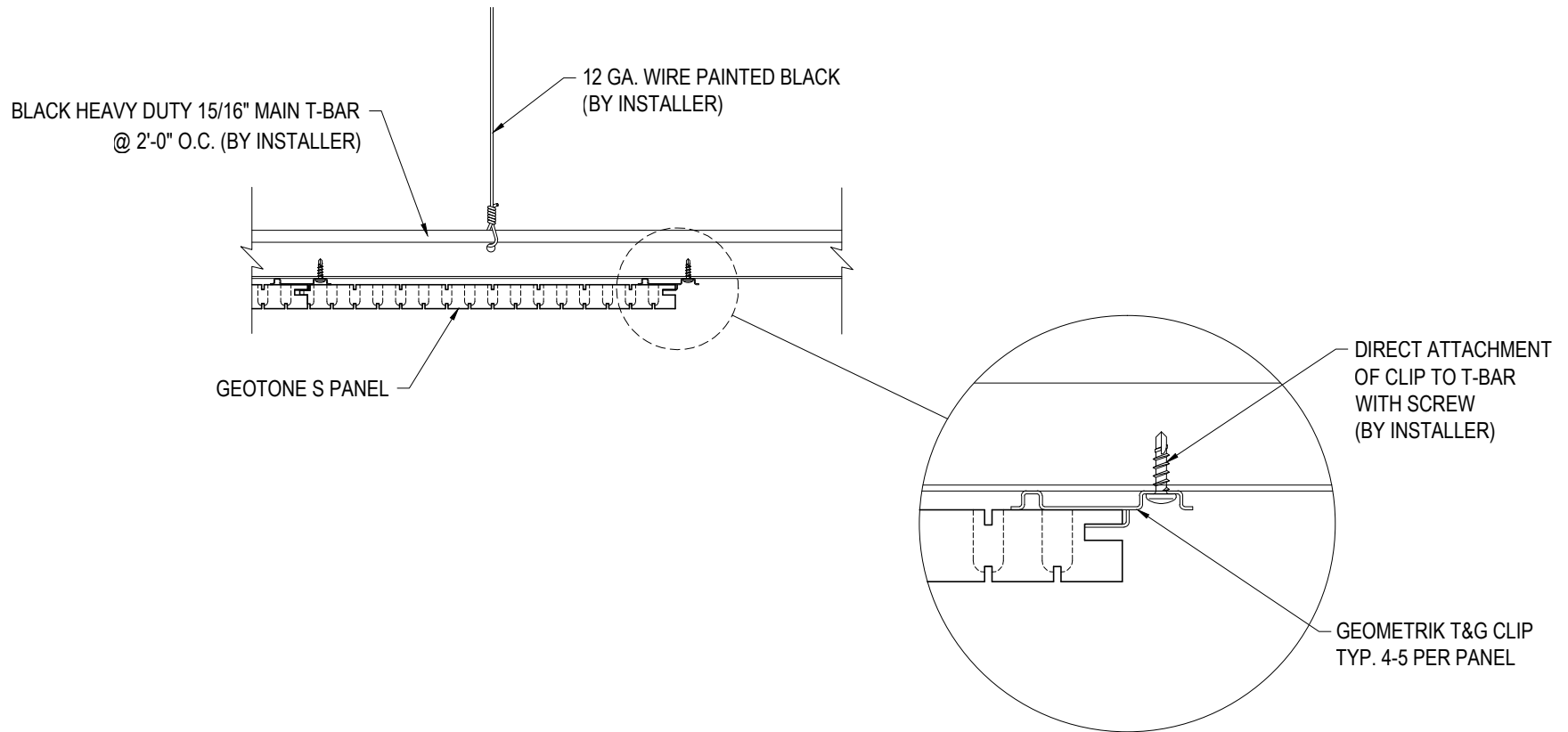
GT2.2

www.geometrik.com info@geometrik.com

Ph.(250) 769-1500 Fax.(250) 769-1520

Date: JUNE-9-2011

Drawn By: TM



1285 Stevens Road
 West Kelowna, BC, Canada
 V1Z 2S9

Ph.(250) 769-1500 Fax.(250) 769-1520

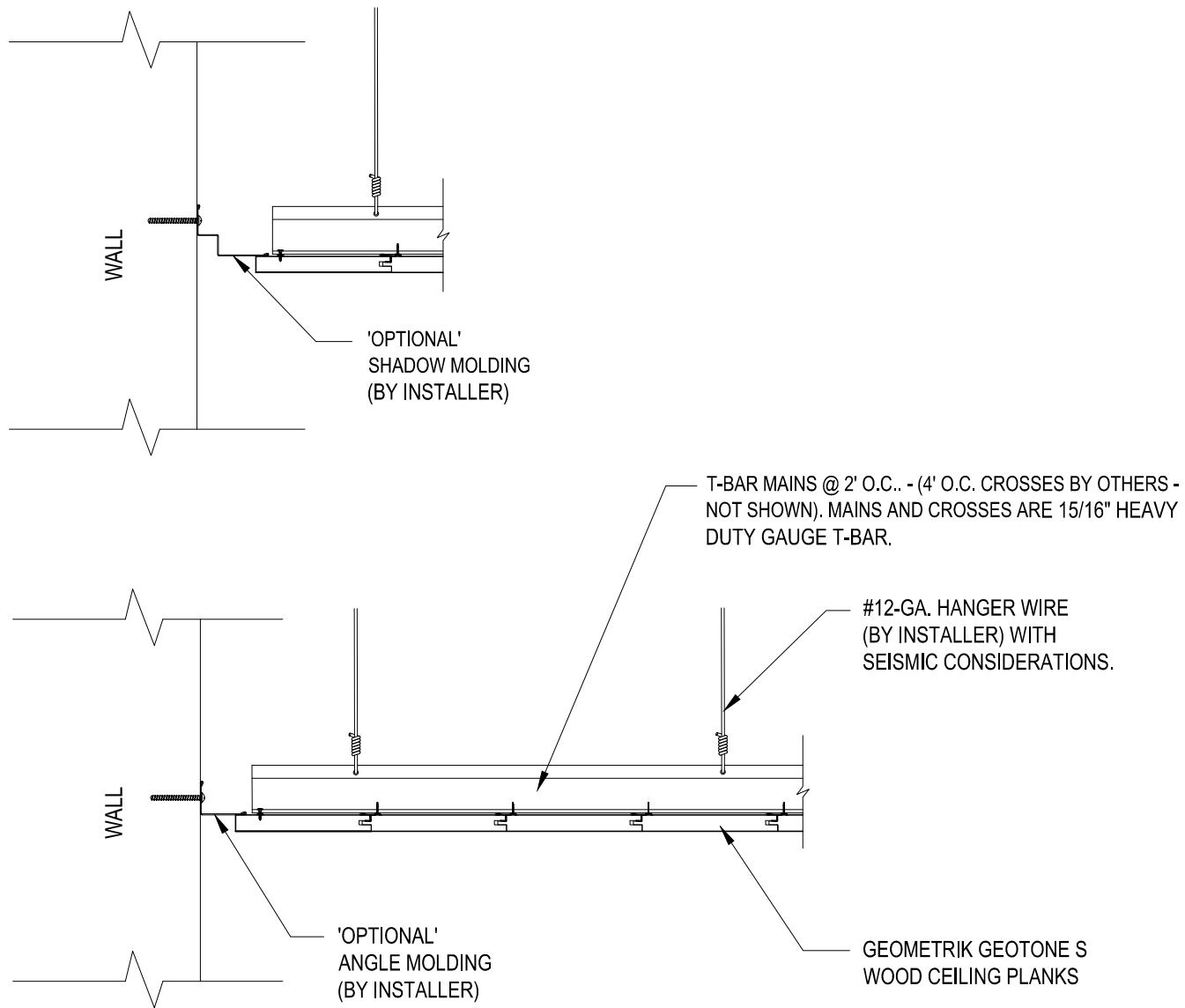
Description:
**CLIP INSTALL
 DETAIL**

Product:
**GEOTONE S
 - CEILING PLANKS**

Date: JUNE-10-2011

Drawn By: TM

Sheet No:
GT3.0



Geometrik

1285 Stevens Road
West Kelowna, BC, Canada
V1Z 2S9

Description:

PERIMETER SHADOW
DETAIL

Product:

GEOTONE S

Sheet No:

GT4.0

www.geometrik.com info@geometrik.com

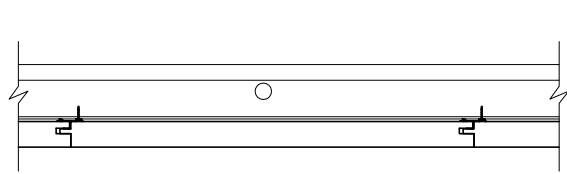
Ph.(250) 769-1500 Fax.(250) 769-1520

Date:

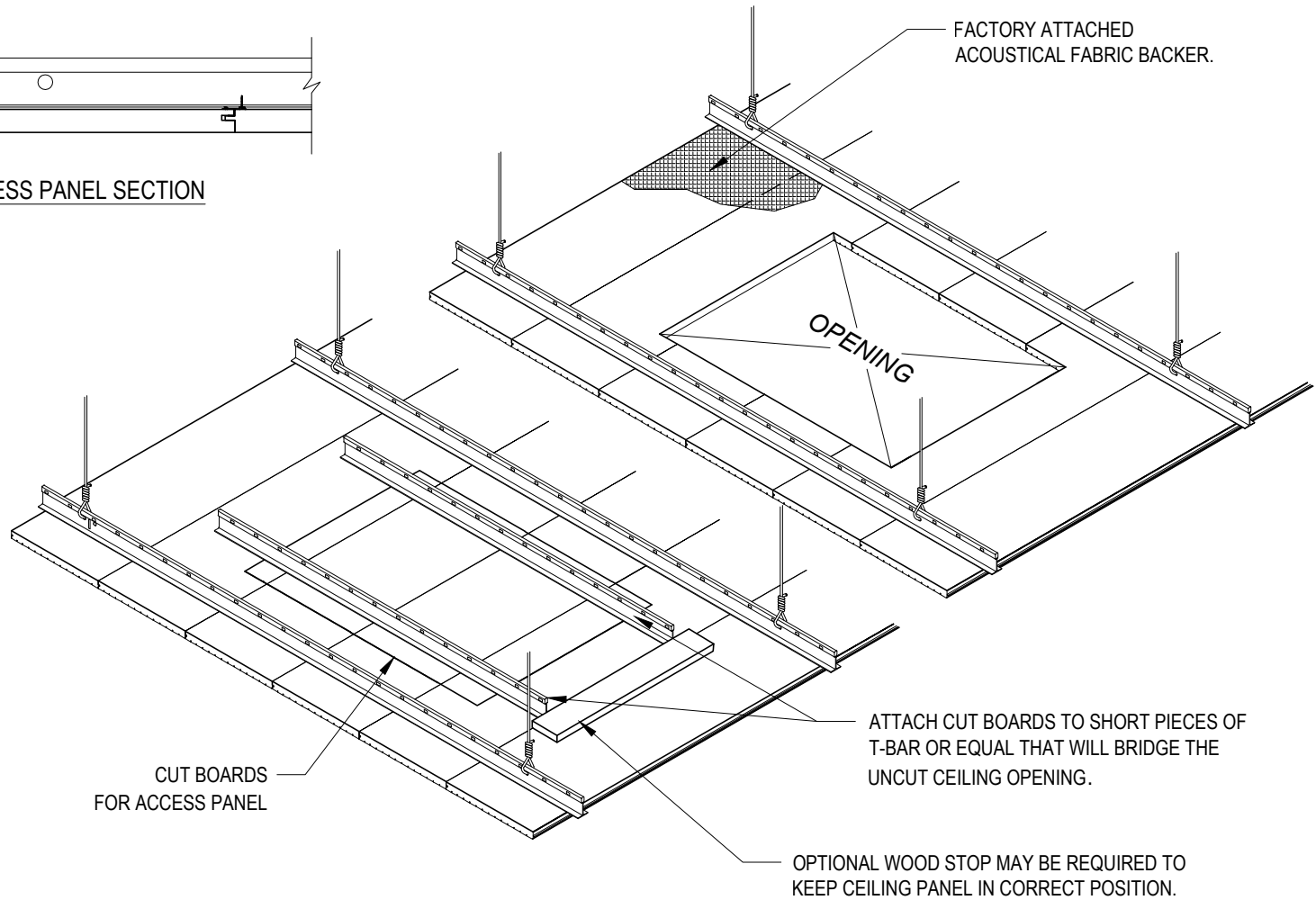
APRIL 1-2011

Drawn By:

TM



ACCESS PANEL SECTION



NOTE: VERIFY IN FIELD SIZE AND LOCATION OF ACCESS PANELS.



1285 Stevens Road
West Kelowna, BC, Canada
V1Z 2S9

Ph.(250) 769-1500 Fax.(250) 769-1520

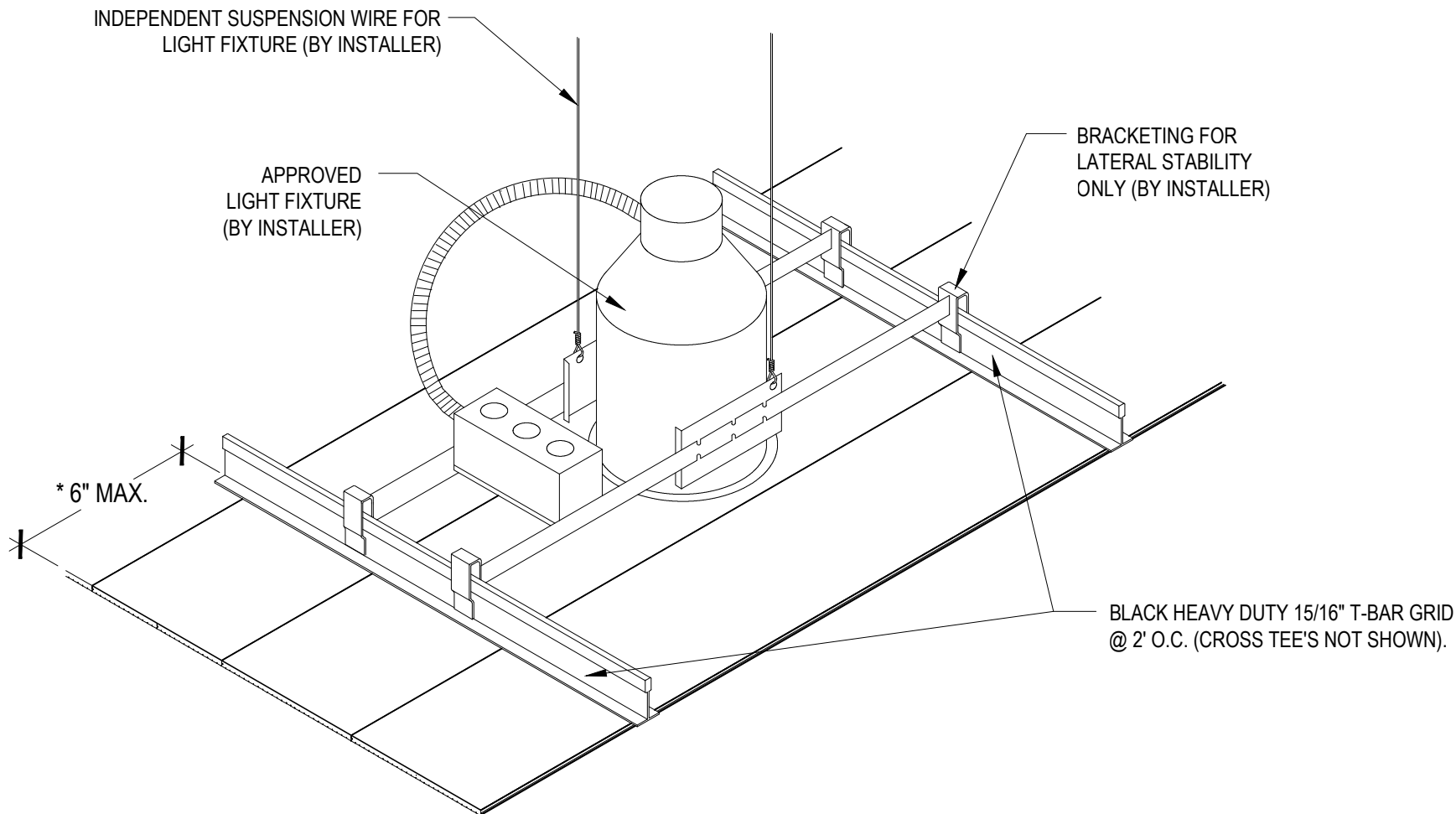
Description:
**ACCESS PANEL
DETAIL**

Product:
GEOTONE S - GT-3400S

Date: JUNE-9-2011 Drawn By: TM

Sheet No:
GT5.0

www.geometrik.com info@geometrik.com



NOTE: CUT PANELS MAY HANG UNSUPPORTED A MAXIMUM OF 6" FROM NEAREST T BAR CLIP.

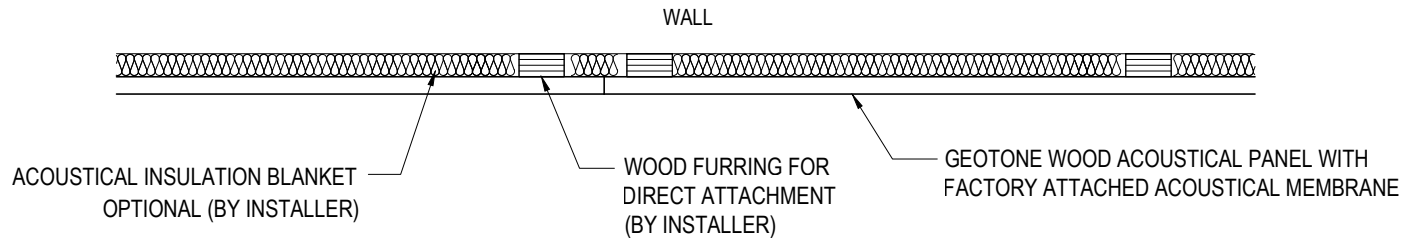
Geometrik
 www.geometrik.com info@geometrik.com

1285 Stevens Road
 West Kelowna, BC, Canada
 V1Z 2S9
 Ph.(250) 769-1500 Fax.(250) 769-1520

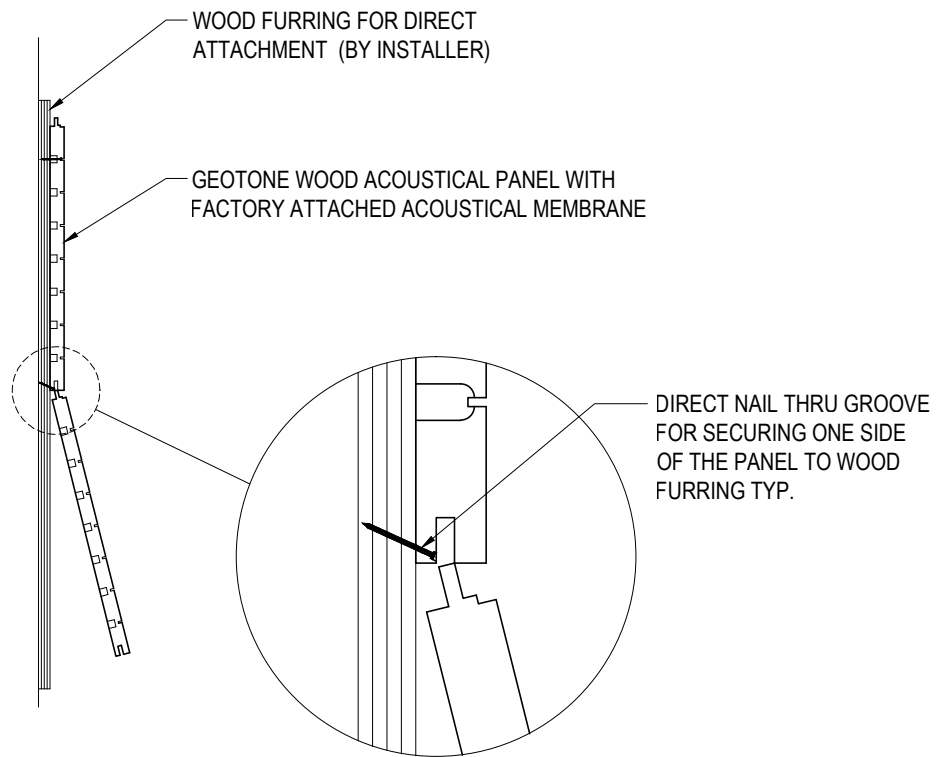
Description:
**PANEL LIGHT
 DETAILS**

Product:
GEOTONE S - GT-3400S
 Date: JUNE-9-2011 Drawn By: TM

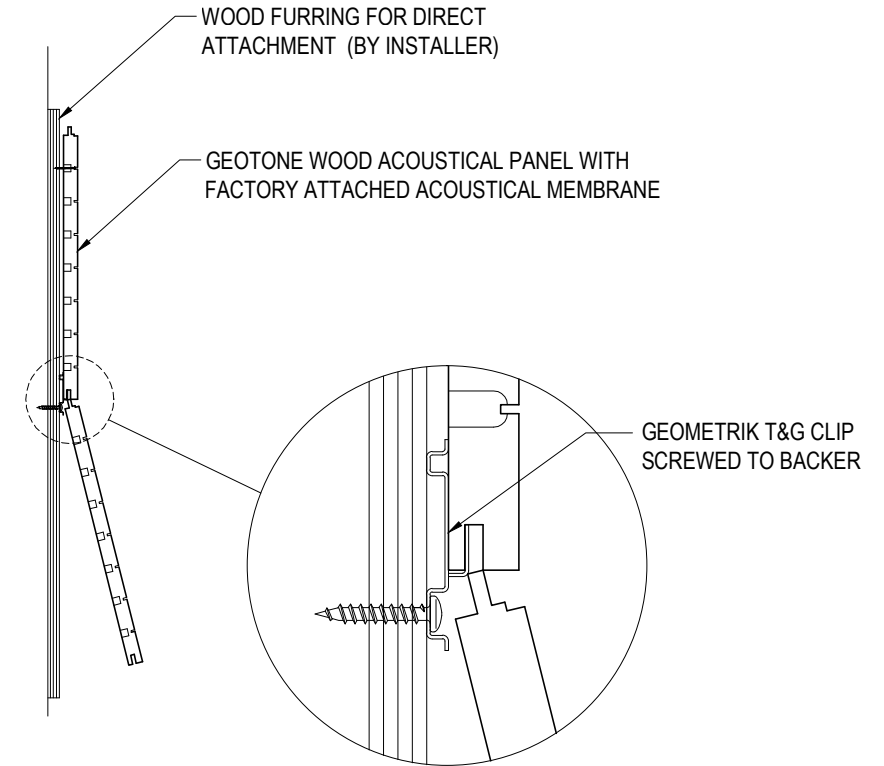
Sheet No:
GT7.0



GEOTONE DIRECT ATTACHMENT - PLAN VIEW



SIDE VIEW



SIDE VIEW

Geometrik

1285 Stevens Road
West Kelowna, BC, Canada
V1Z 2S9

Ph.(250) 769-1500 Fax.(250) 769-1520

Description:

**DIRECT WALL
ATTACHMENT
DIRECT NAIL & CLIP**

Product:

GEOTONE S

Date:

JUNE-9-2011

Drawn By:

TM

Sheet No:

GT9.0

www.geometrik.com info@geometrik.com